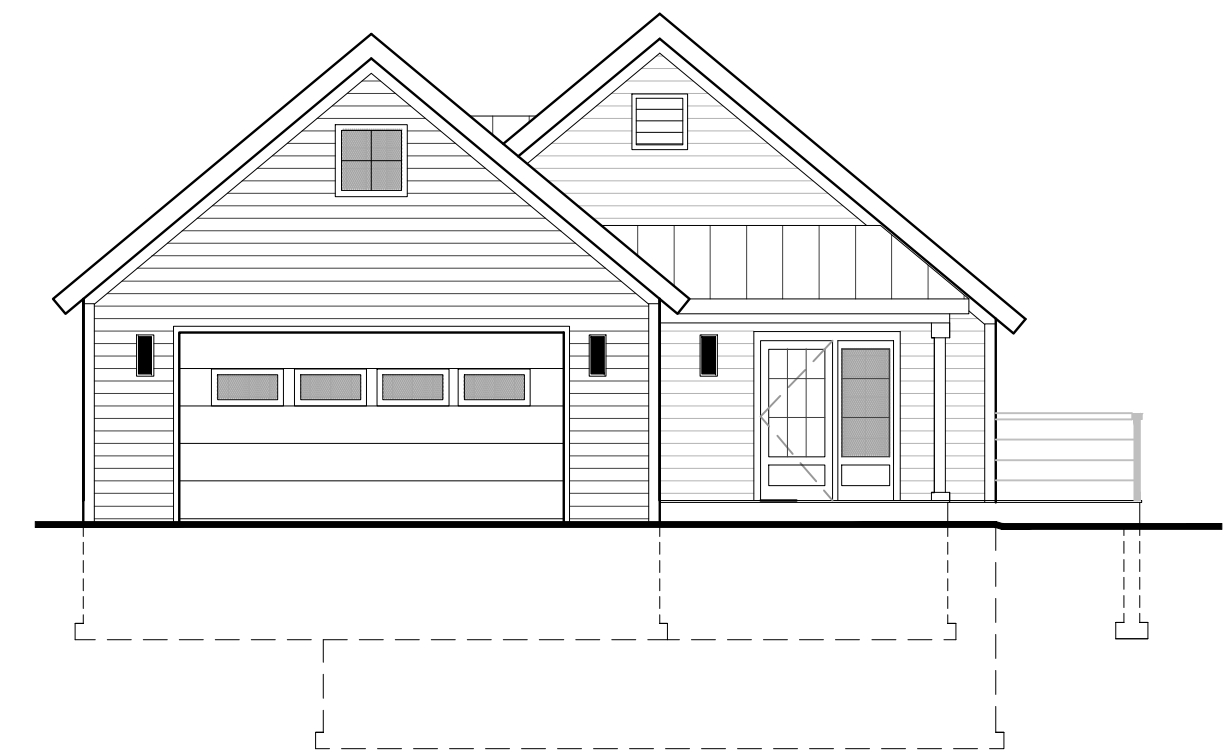
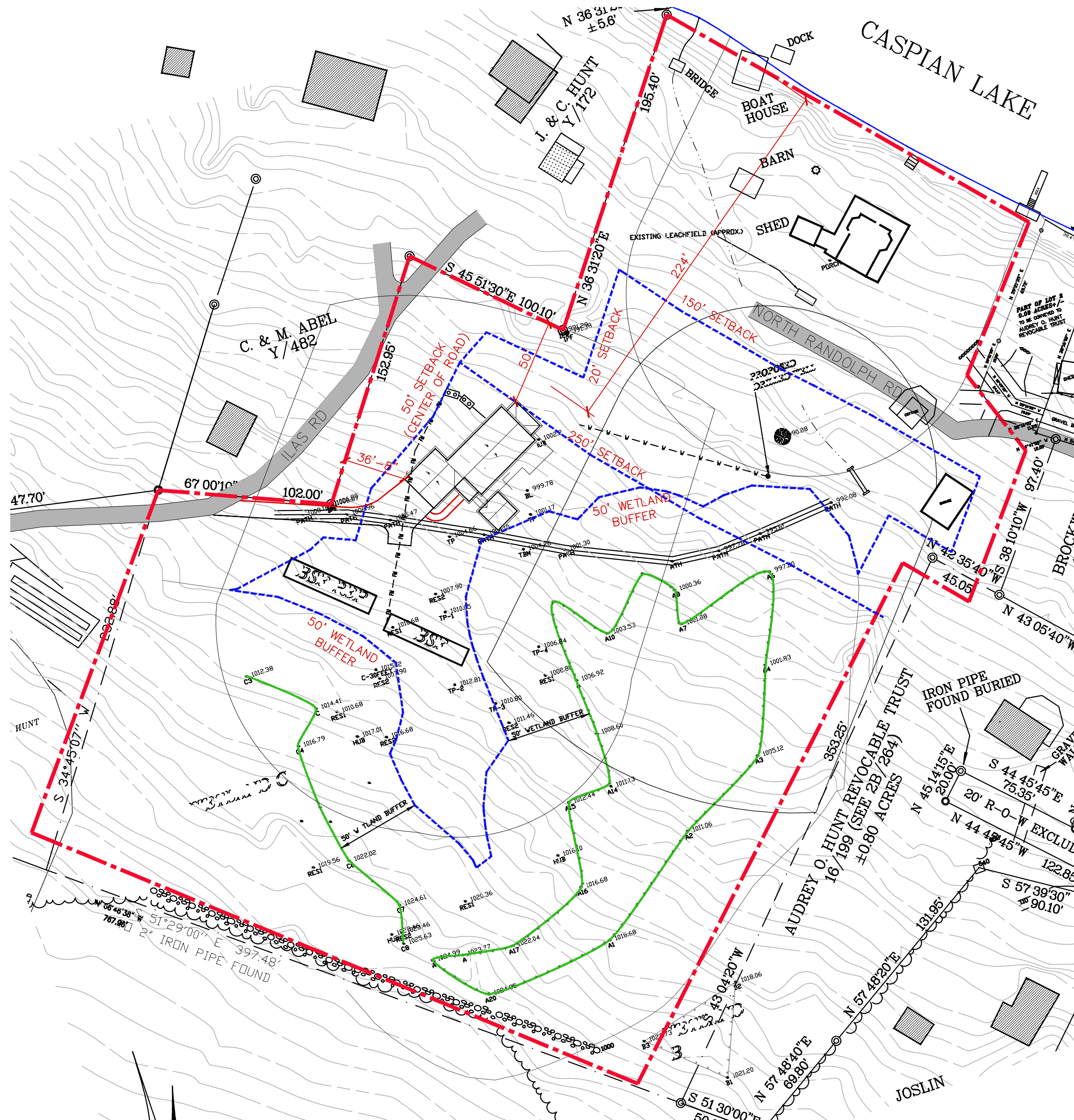


FARWELL WOODS

NEW SINGLE FAMILY RESIDENCE

GREENSBORO, VT



1 SOUTH ELEVATION
NTS



2 VICINITY MAP
NTS

ARCHITECT
COE + COE ARCHITECTURE LLC
2342 ANDERSONVILLE ROAD
WEST GLOVER, VT 05875
802.673.4184
JAMES@COEANDCOEARCHITECTURE.COM
NELLA@COEANDCOEARCHITECTURE.COM

REV.	STATUS	DATE
	SCHEMATIC	4/28/22

OWNER:
MACNEIL-HUNT
74 NORTH RANDOLPH RD
GREENSBORO VT,

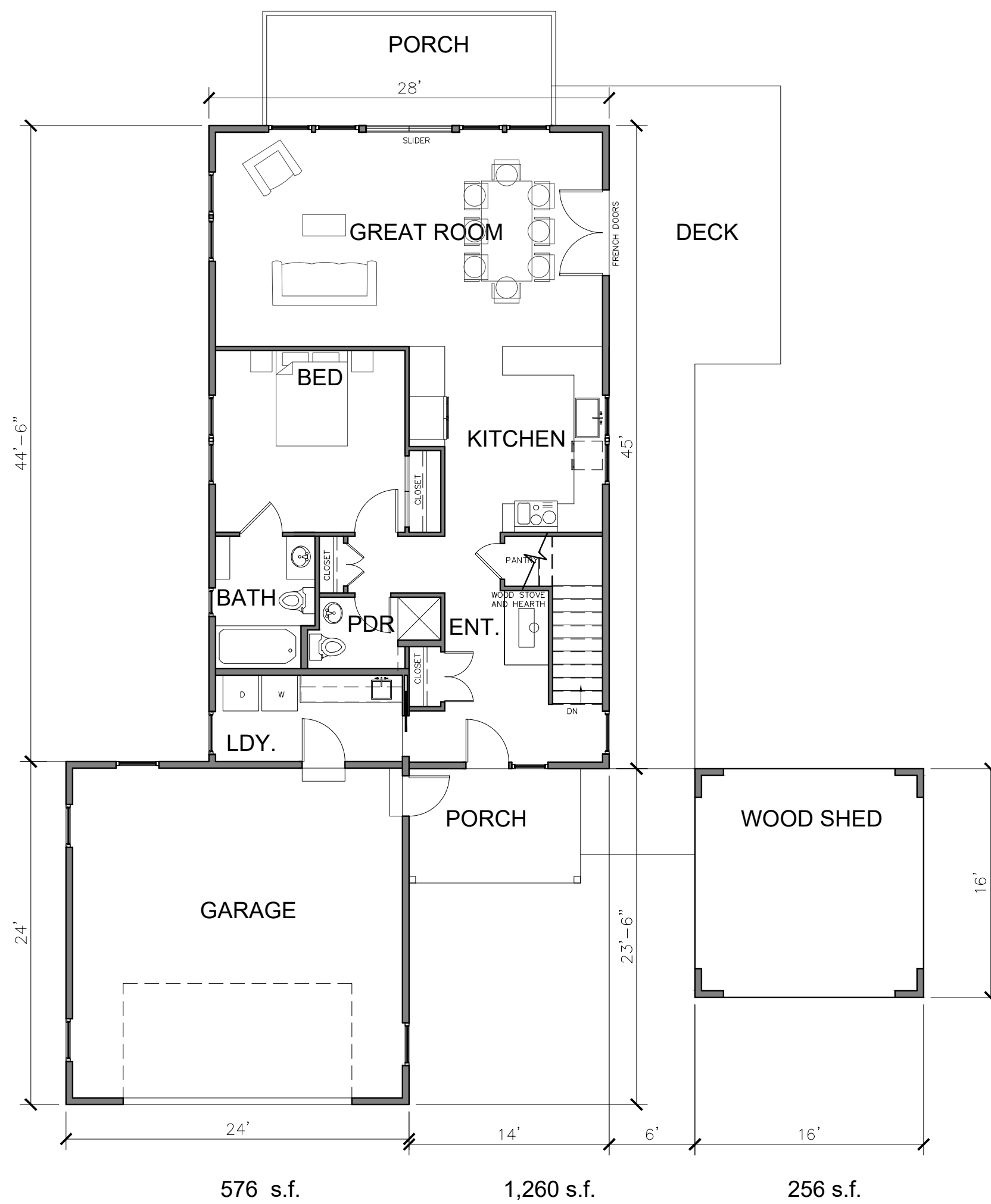
PROJECT:
FARWELL WOODS
74 NORTH RANDOLPH RD
GREENSBORO VT,

DRAWN BY:
AT
CHECKED BY:
JC

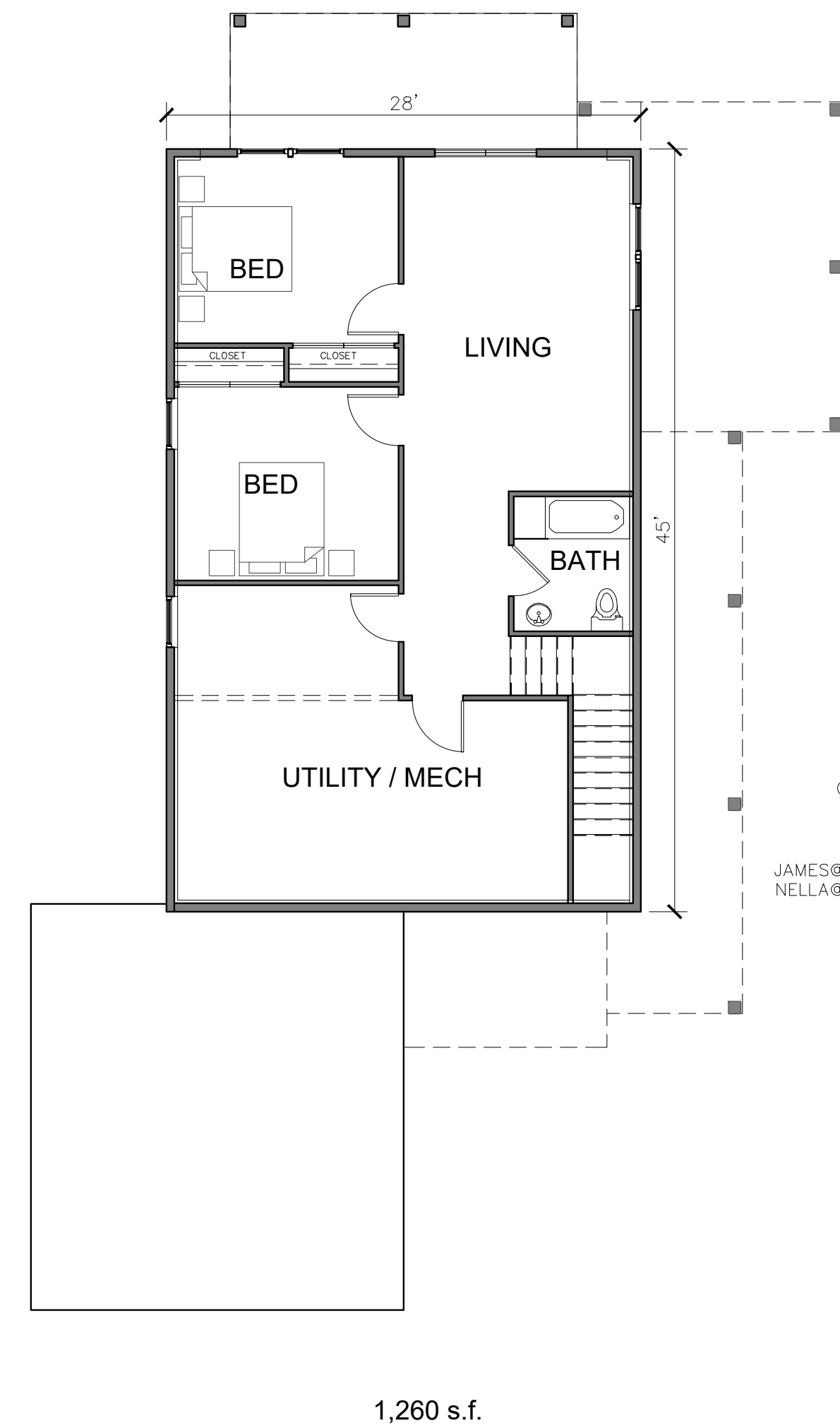
SITE PLAN

A0.1

3 SITE PLAN
1" = 50' - 0"



2 MAIN LEVEL PLAN
1/8"=1'-0"



1 LOWER LEVEL PLAN
1/8"=1'-0"

ARCHITECT
COE + COE ARCHITECTURE LLC.
2342 ANDERSONVILLE ROAD
WEST GLOVER, VT 05875
802.673.4184
JAMES@COEANDCOEARCHITECTURE.COM
NELLA@COEANDCOEARCHITECTURE.COM

REV.	STATUS	DATE
	SCHEMATIC	4/28/22

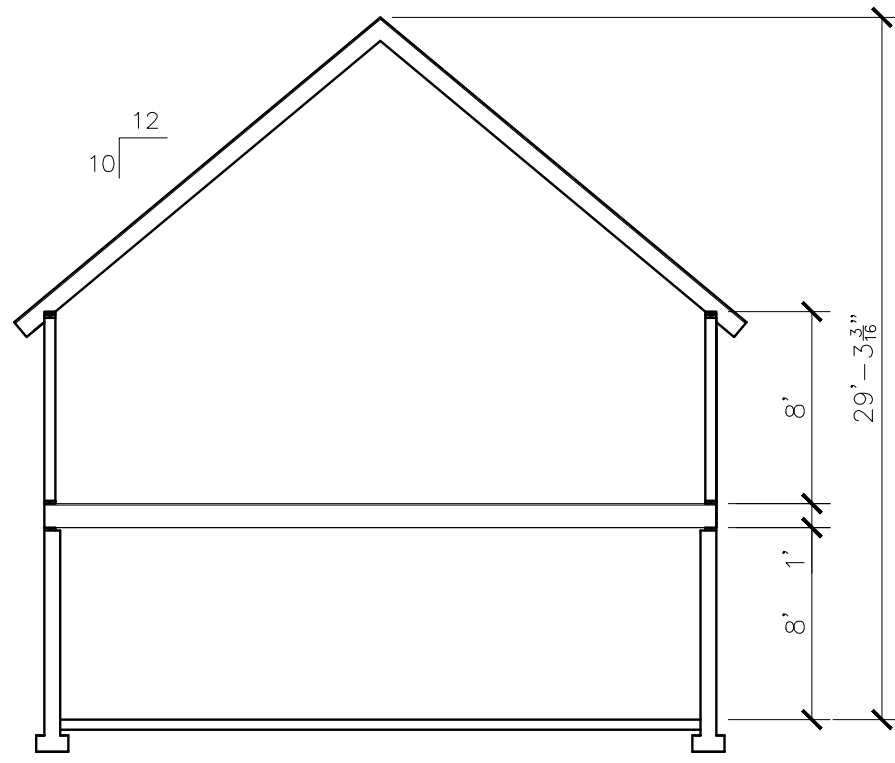
OWNER:
MACNEIL-HUNT
74 NORTH RANDOLPH RD
GREENSBORO VT,

PROJECT:
FARWELL WOODS
74 NORTH RANDOLPH RD
GREENSBORO VT,

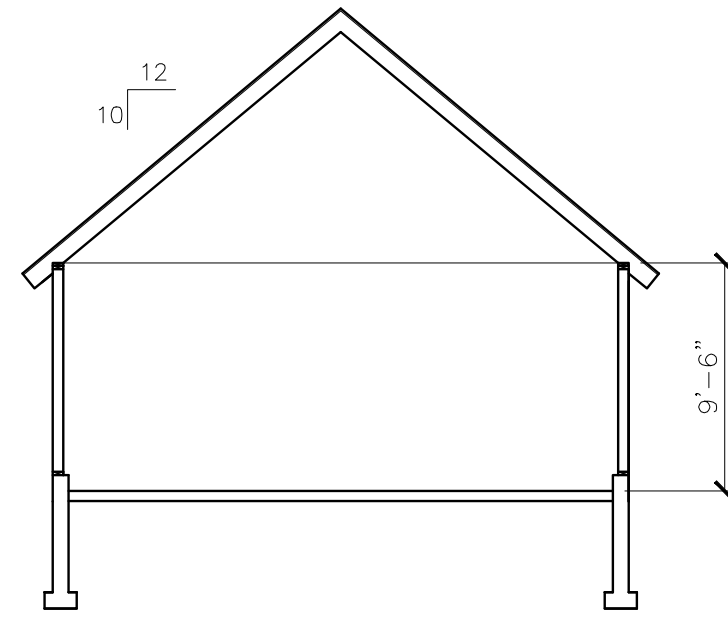
DRAWN BY:
AT
CHECKED BY:
JC

FLOOR PLANS

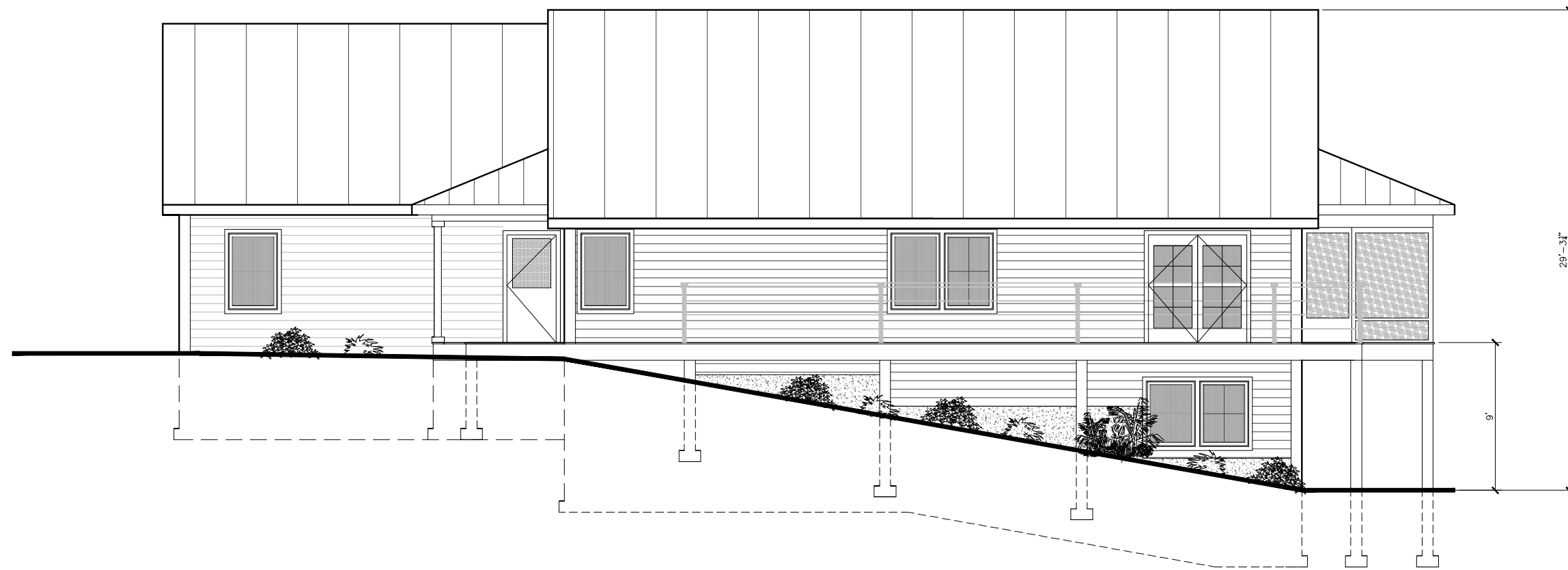
A1.1



6 CROSS SECTION- HOUSE
1/8"=1'-0"



5 CROSS SECTION- GARAGE
1/8"=1'-0"



4 EAST ELEVATION
1/8"=1'-0"



3 NORTH ELEVATION
1/8"=1'-0"

ARCHITECT
COE + COE ARCHITECTURE LLC.
2342 ANDERSONVILLE ROAD
WEST GLOVER, VT 05875
802.673.4184
JAMES@COEANDCOEARCHITECTURE.COM
NELLA@COEANDCOEARCHITECTURE.COM

REV.	STATUS	DATE
	SCHEMATIC	4/28/22

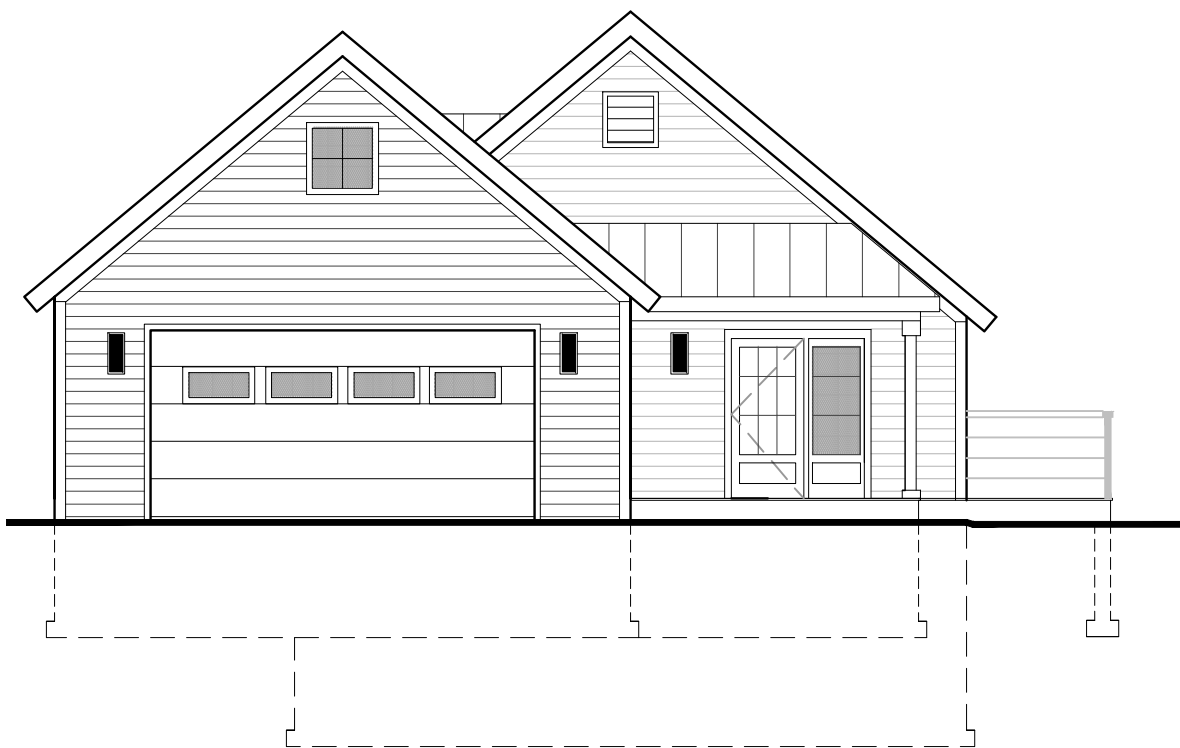
OWNER:
MACNEIL-HUNT
74 NORTH RANDOLPH RD
GREENSBORO VT.

PROJECT:
FARWELL WOODS
74 NORTH RANDOLPH RD
GREENSBORO VT.

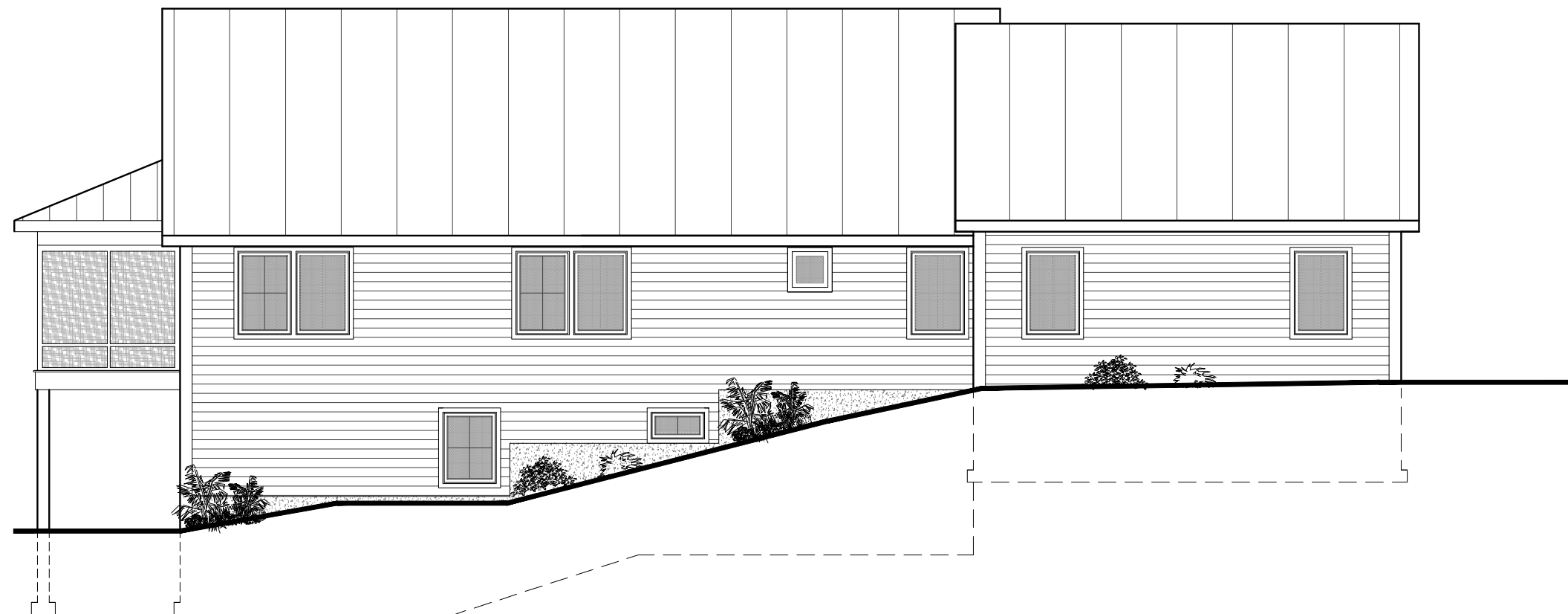
DRAWN BY:
AT
CHECKED BY:
JC

ELEVATIONS

A2.1



1 SOUTH ELEVATION
1/8"=1'-0"



2 WEST ELEVATION
1/8"=1'-0"